

# 15" Marvel Beverage Center

Model # ML15BC\*\*\*\*

- Dynamic Cooling Technology™ delivers rapid cooldown and the industry's best temperature stability
- MARVEL Intuit™ Integrated Controls ensure precise temperature management from 34°F to 42°F
- Thermal-efficient cabinet ensures optimum food preservation and energy efficiency while maximizing capacity
- Tinted, UV-resistant dual pane glass door protects wine from damaging ultra-violet light
- Efficient white LED lighting and midnight black interior
- Black metal frame glass shelves are cantilevered, and adjustable
- Close Door Assist System™ gently and automatically closes door
- Panel overlay option features soft-close integrated hinge for a truly flush fit with cabinetry
- Audible and visual alarms signal when door is left ajar to protect food integrity and energy use
- Vacation/Sabbath mode conserves energy during times when the unit is not in use and complies with Star-K requirements
- Height adjustment up to 1" with leveling legs
- Filler kit available for 18" wide opening,
- 4" black adjustable toe kick
- 1-year warranty



Ordering Details	
Stainless Frame Glass Door, Right Hinge	ML15BCG1RS
Stainless Frame Glass Door, Left Hinge	ML15BCG1LS
Smooth Black Frame Glass Door, Right Hinge	ML15BCG1RB
Smooth Black Frame Glass Door, Left Hinge	ML15BCG1LB
Panel Overlay Frame Glass Door, Integrated Right Hinge	ML15BCF2RP
Panel Overlay Frame Glass Door, Integrated Left Hinge	ML15BCF2LP
Solid Panel Overlay Ready Door, Integrated Right Hinge	ML15BCP2RP
Solid Panel Overlay Ready Door, Integrated Left Hinge	ML15BCP2LP

No panel installation kit required.

## Storage Capacity

Up to (35) 12-oz cans and (5) wine bottles

## Storage Configuration

- (2) cantilevered, full-width black steel-framed glass shelves
- (1) bottom storage area

## Product Dimensions

14<sup>7</sup>/<sub>8</sub>" W x 33<sup>3</sup>/<sub>4</sub>" minimum H x 25 <sup>5</sup>/<sub>8</sub>" D (including handle)

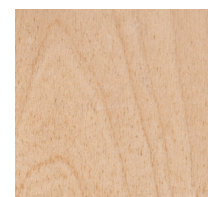
## Finish/Door Options



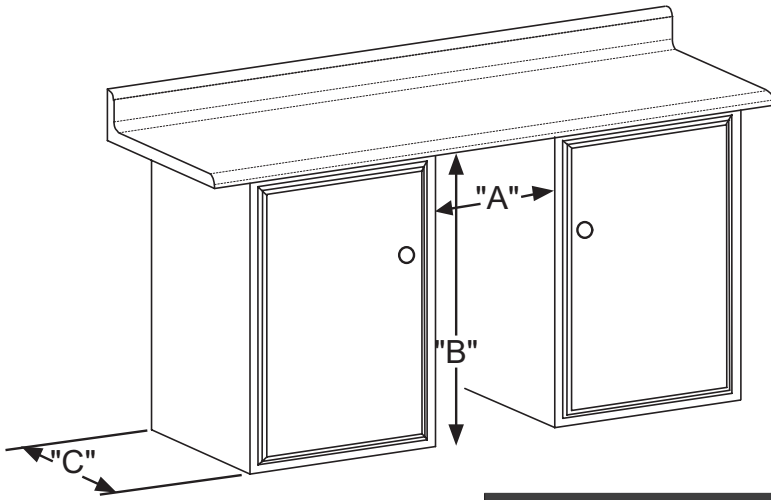
Stainless Steel



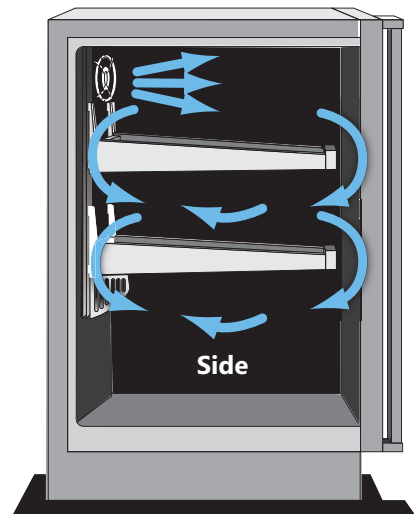
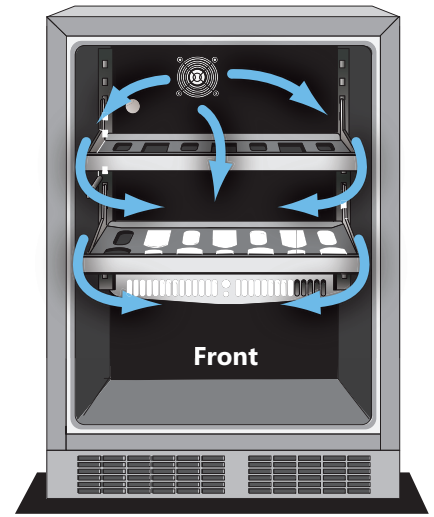
Black



Wood Overlay  
(Panel Ready)



15" Rough-In Dimensions		
"A"	"B"	"C"
15" (38.1 cm)	**34" to 35" (86.4 to 88.9 cm)	24" (61 cm)



Cabinet Dimensions		
"D"	"E"	"F"
14 7/8" (37.8 cm)	33 3/4" to 34 3/4" (85.7 to 88.3 cm)	23 23/32" (60.2 cm)
"G"	"H"	"J"
25 21/32" (65.2 cm)	37 13/32" (95 cm)	16 11/16" (42.4 cm)

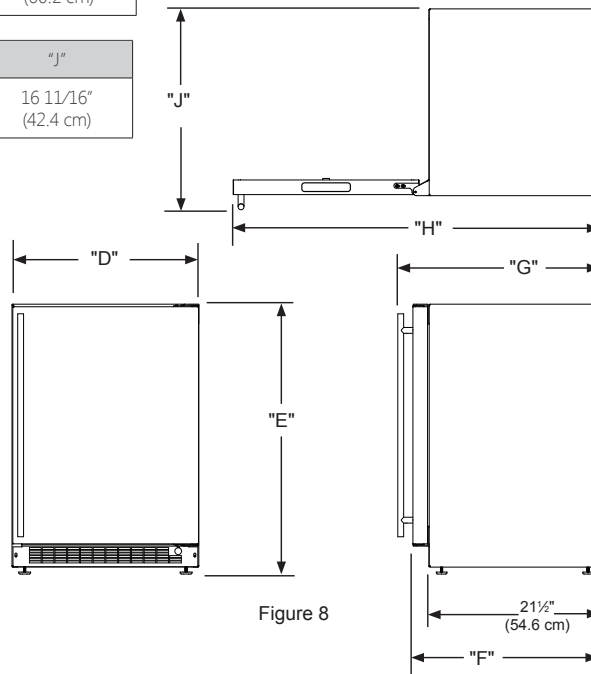


Figure 8

### Dynamic Cooling Technology™ delivers rapid cool down and the industry's best temperature stability

The distinctive Marvel design features a thermal-efficient cabinet and door combined with Dynamic Cooling Technology™ for superior temperature stability, faster cooling times and speedy temperature recovery even with high frequency.

<b>Width</b>	14 7/8"
<b>Interior Finish</b>	Black
<b>Capacity</b>	Up to 5 wine bottles or up to 35 12-oz cans
<b>Shelving System</b>	Cantilever
<b>Shelf Fronts</b>	Black painted maple
<b>Other Storage</b>	NA
<b>Interior Lighting</b>	1 White LED Pod
<b>Toe Grill Finish</b>	Black
<b>Hinge</b>	Classic Hinge
<b>Handle</b>	Designer

<b>Control Type</b>	Intuit™
<b>Temperature Range</b>	NA
<b>Lock</b>	NA
<b>Electrical Requirements</b>	120V / 60Hz / 15A
<b>Length of Power Cord</b>	5'
<b>Product Dimensions</b>	14 7/8" W x 33 3/4" H x 21 1/2" D
<b>Depth to Front of Door</b>	23 23/32"
<b>Depth to Handle</b>	26 1/4"
<b>Depth with door at 90°</b>	37 1/16"
<b>Shipping Weight</b>	125 lbs

<b>Finishes</b>	SS, B, O
<b>Vacation / Sabbath Mode</b>	NA
<b>Agency Approvals</b>	CSA

#### Finishes Key

SS = Stainless Steel  
 B = Black  
 O = Overlay

# Overlay Panels

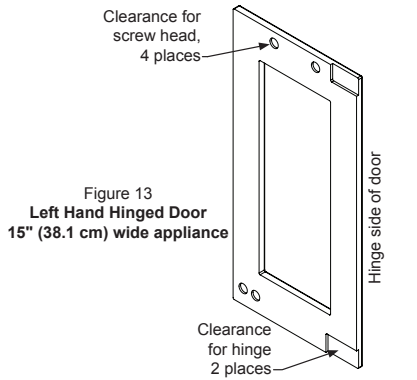


Figure 13  
Left Hand Hinged Door  
15" (38.1 cm) wide appliance

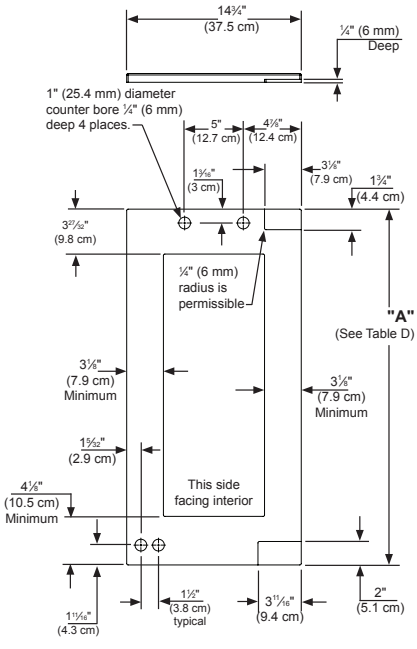


Figure 14  
Left Hand Hinged Door  
15" (38.1 cm) Wide Appliance

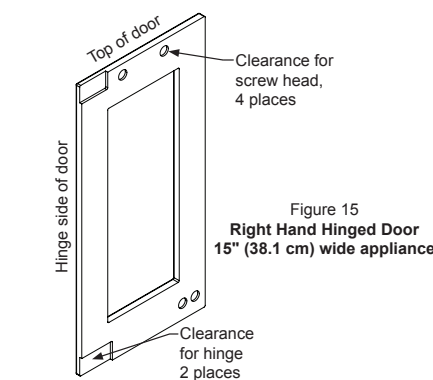


Figure 15  
Right Hand Hinged Door  
15" (38.1 cm) wide appliance

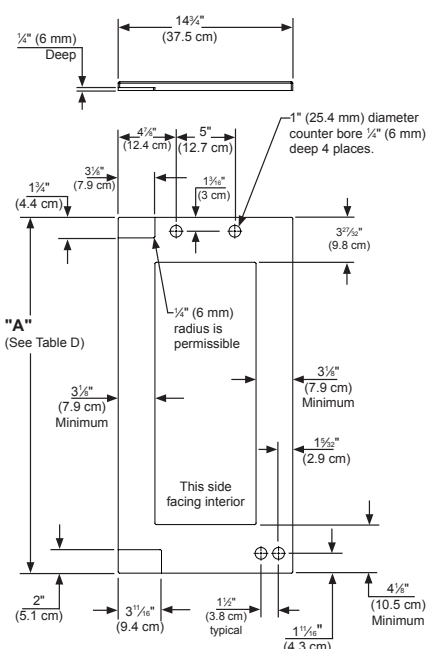


Figure 16  
Right Hand Hinged Door  
15" (38.1 cm) wide appliance

Depending on your model cut the overlay door panel to the dimensions shown in Figures 13 to 20. Also see Table "D" for the height dimension and door styles. The window cut out is for glass door models only. If your appliance has a lock also drill the lock hole in the panel, see Figure 22.

MODEL	DOOR DESCRIPTION	DIM "A"	
ML15RAP*RP	Solid, Right Hand	30 <sup>1</sup> / <sub>2</sub> " (77.1 cm)	
ML15RAP*LP	Solid, Left Hand		
ML15BCF*RP	Glass, Right Hand		
ML15BCF*LP	Glass, Left Hand		
ML15BCP*RP	Solid, Right Hand		
ML15BCP*LP	Solid, Left Hand		
ML24RAP*RP	Solid, Right Hand		27 <sup>3</sup> / <sub>2</sub> " (70.4 cm)
ML24RAP*LP	Solid, Left Hand		
ML24BRF*RP	Glass, Right Hand		
ML24BRF*LP	Glass, Left Hand		
ML24BRP*RP	Solid, Right Hand		
ML24BRP*LP	Solid, Left Hand		
MA24BRF*RP	Glass, Right Hand with Lock	27 <sup>3</sup> / <sub>2</sub> " (70.4 cm)	
MA24BRF*LP	Glass, Left Hand with Lock		
MA24RAP*RP	Solid, Right Hand with Lock		
MA24RAP*LP	Solid, Left Hand with Lock		

Table D

The preferred method of attaching the panel to the door is to clamp the panel to the door so it cannot move while drilling the screw pilot holes. Use bar clamps or "C" clamps with pads on the clamping surfaces that will not mar the panel or the door. The custom overlay panel should be flush with the top of the door and centered along the width of the door. See Figure 12a. Drill holes through the gasket extrusion using the 10 holes as pilot holes. Use the drill size from the chart in Table "C", being careful not to drill through the front surface of the panel, drill no deeper than 1/2" (12.7 mm) deep. If the overlay panel is thinner than 3/8" (16 mm) thick shorter screws will have to be obtained. Fasten the panel to the door with the 10 screws provided in the literature pack. (See Figure 22a). Remove the clamps and replace the gasket in the gasket extrusion channels of the door. Some force may be required to seat the gasket into the channels. Be sure the gasket corners are seated properly.

Material Type	#10 Wood Screw
Hardwood	1/8" (3.2 mm) Diameter. Pilot Hole
Softwood	7/64" (2.8 mm) Diameter. Pilot Hole

Table C

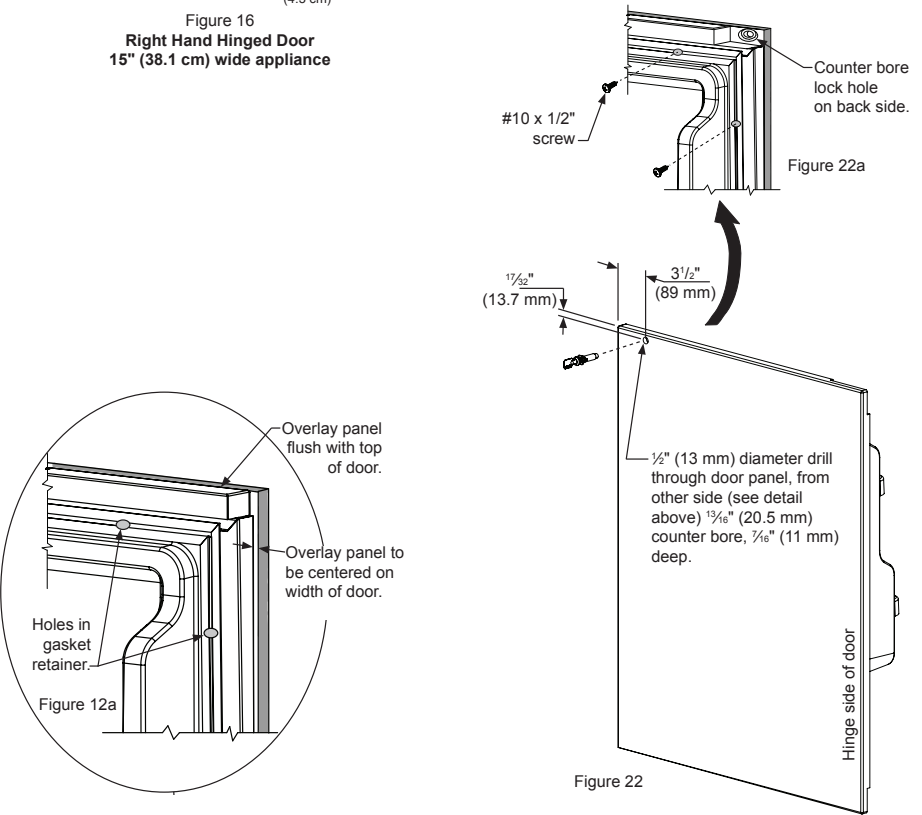


Figure 22

For comprehensive installation instructions, please visit [www.marvelrefrigeration.com](http://www.marvelrefrigeration.com)